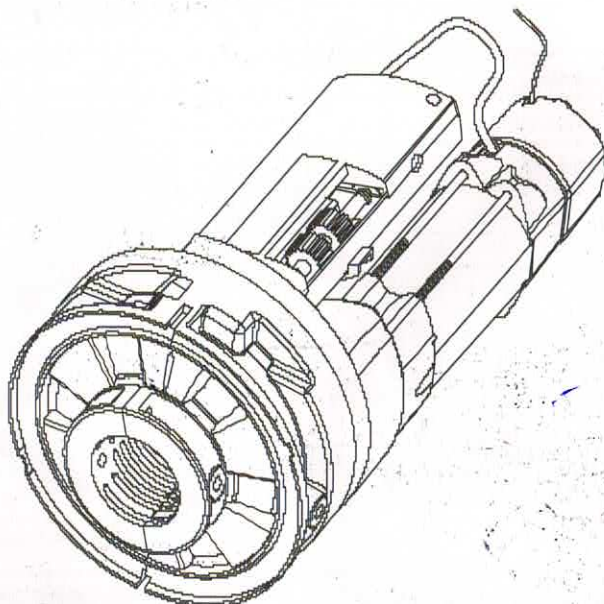




# **MOTOR CENTRAL ASTI 180KG**

COD: ASTI180RE



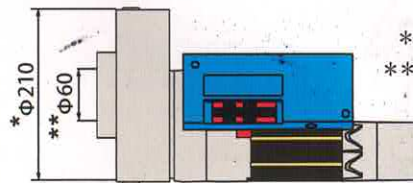
INSTRUCTIONS

The Central motor consists of a drive crown gear and a central body including the drive unit, the reduction components and the travel-limit unit. The models supplied with an electro-brake guarantee that the lifting position is maintained if the drive is not perfectly balanced.

■ Easy to install / Low noise operation / Stable and safe

## TECHNICAL PARAMETERS

TECHNICAL DATA		MODEL		
		ASTI90RE	ASTI145RE	ASTI180RE
Power supply voltage		230V/115V(±7) 50(60)Hz %		
Motor power	w	400	500	590
Current	A	1.8/4.0	2.2/4.7	2.65/5.5
Torque	N.m	85	140	180
Winding speed	rpm	10	10	10
Nominal functioning time	s	240	240	240
Maximum travel	m	8	8	8
Working Temperature		-20°C to +40°C		

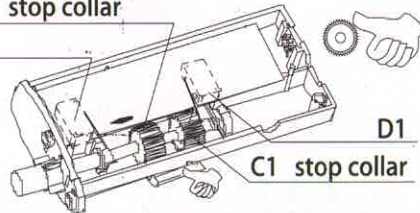


\* Supplement for pulley D.210/220mm  
 \*\* Supplement for shaft D.48/60mm



C2 stop collar

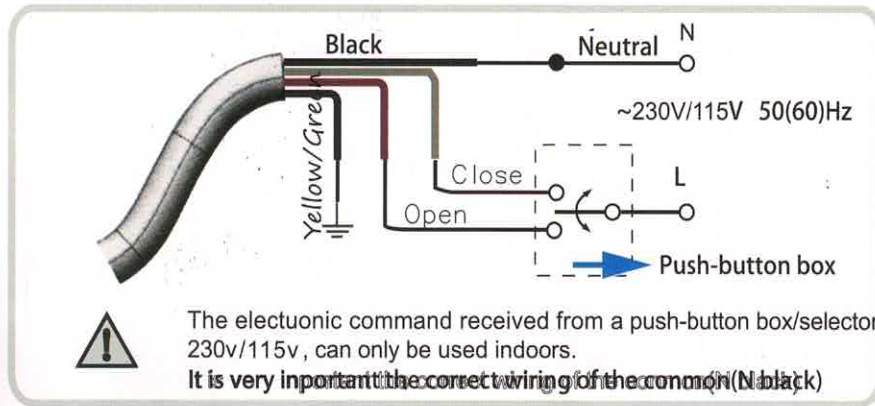
D2



D1

C1 stop collar

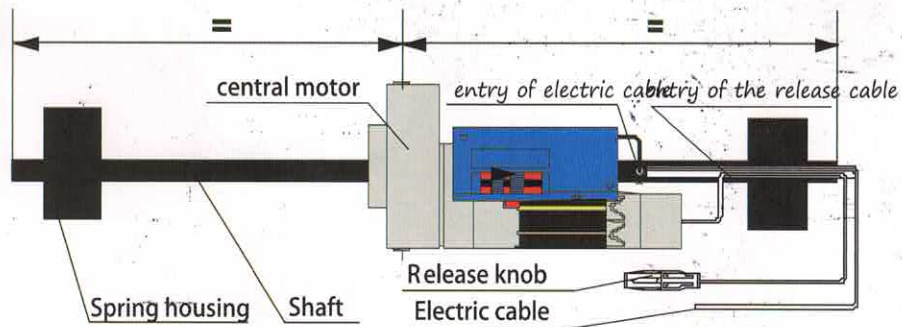
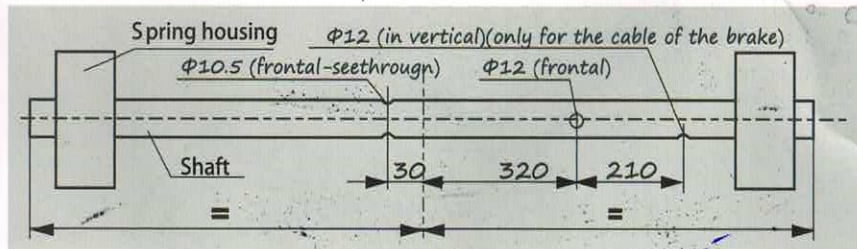
- When the door is close, place the closing stop collar (C1) next to press the micro-switch(D1).
- Switch on and make the central motor opens the shutters, stop when the door open, place the opening stop collar (C2) to press the micro-switch(D2).
- Check the travel(adjust if necessary)



## Install the central motor



Before install the central motor check that the shutter is correctly balanced by its screws mounted on the shaft. Verify it manually by opening and closing the shutter.



Drill in the central shaft, one hole  $\Phi 10.5$  mm. in order the central motor doesn't turn.  
One hole  $\Phi 12$  mm. for the electric cable, and another  $\Phi 12$  mm. for the release cable.